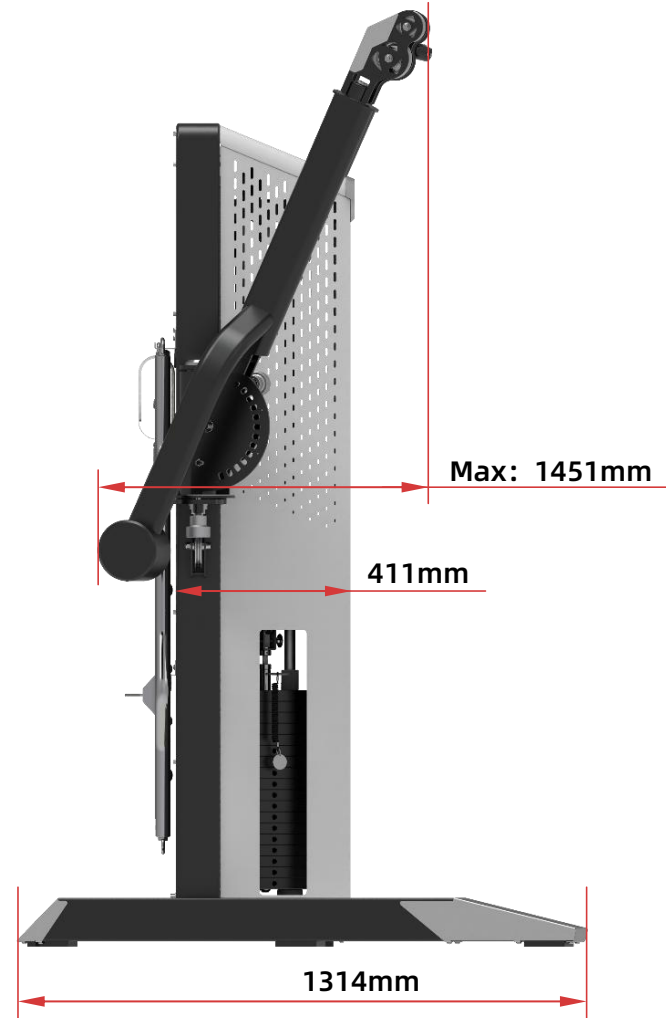
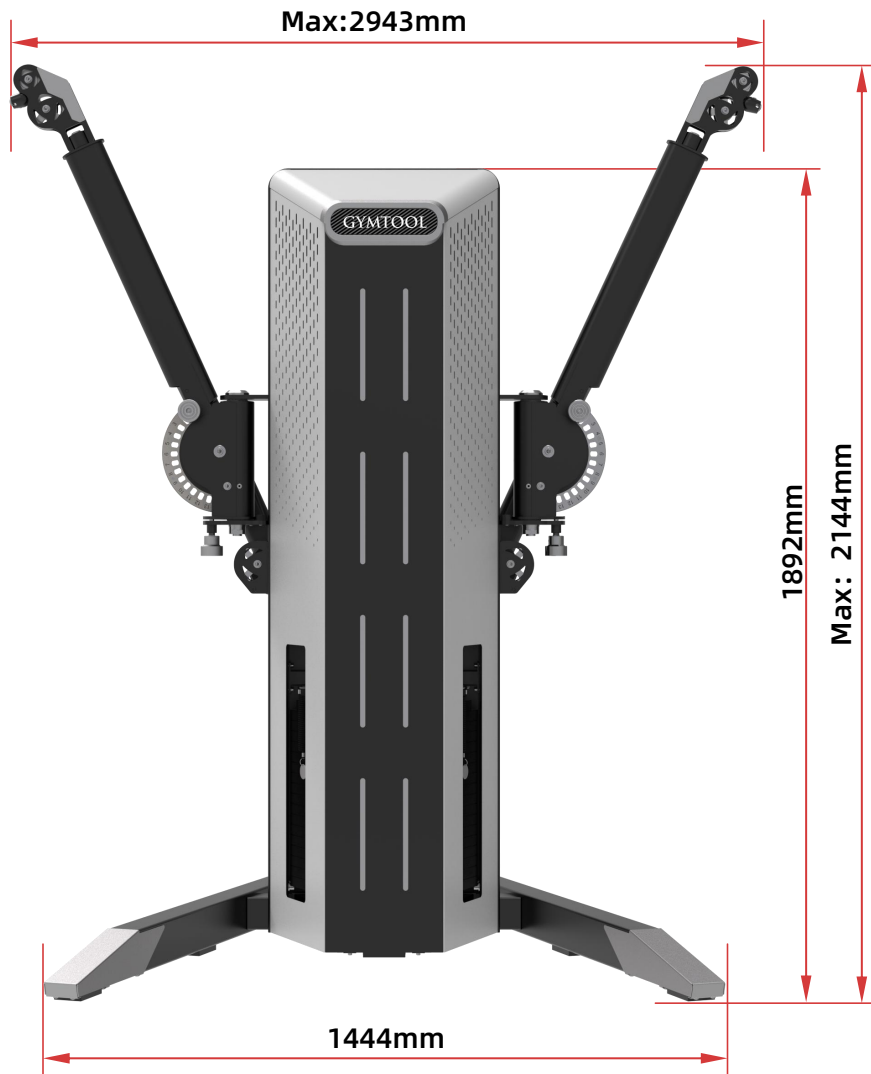




G950

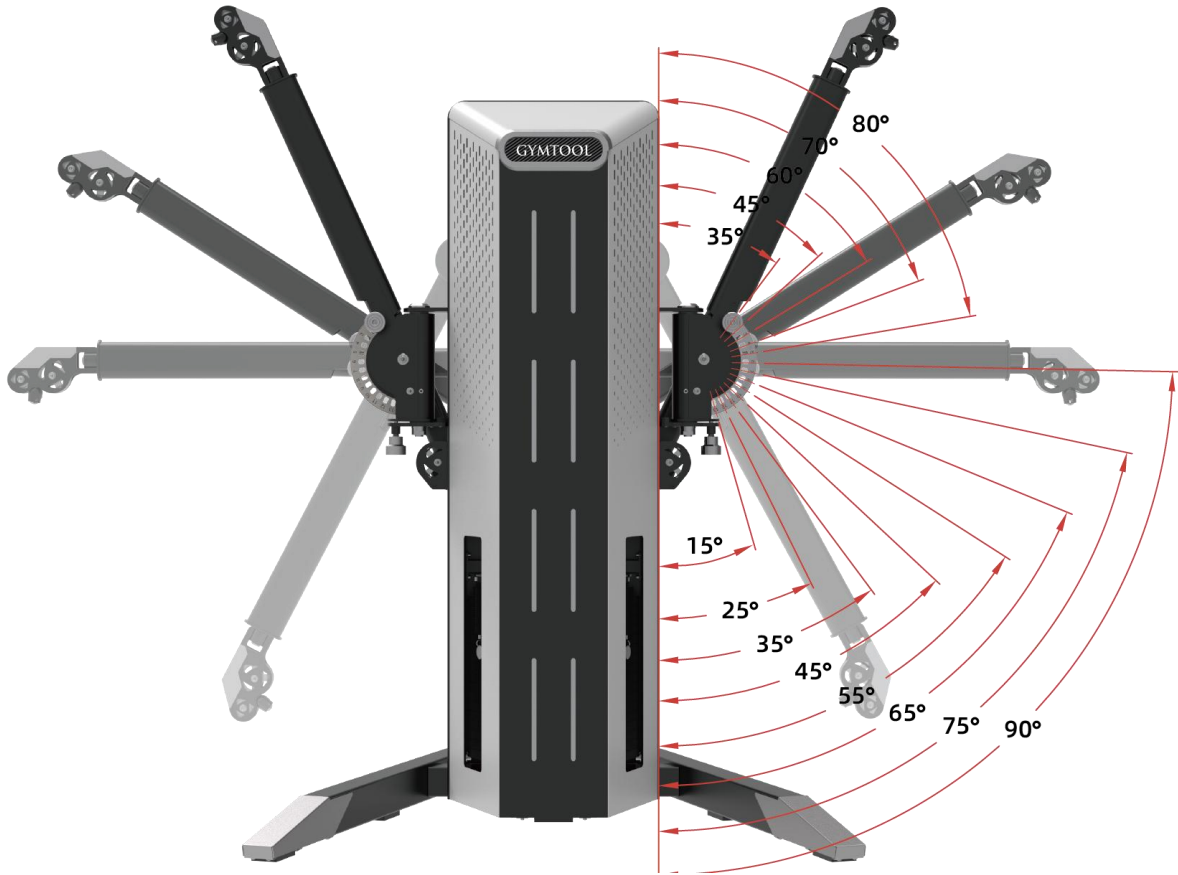
FREEMOTION DUAL ADJUSTABLE
CABLE CROSS



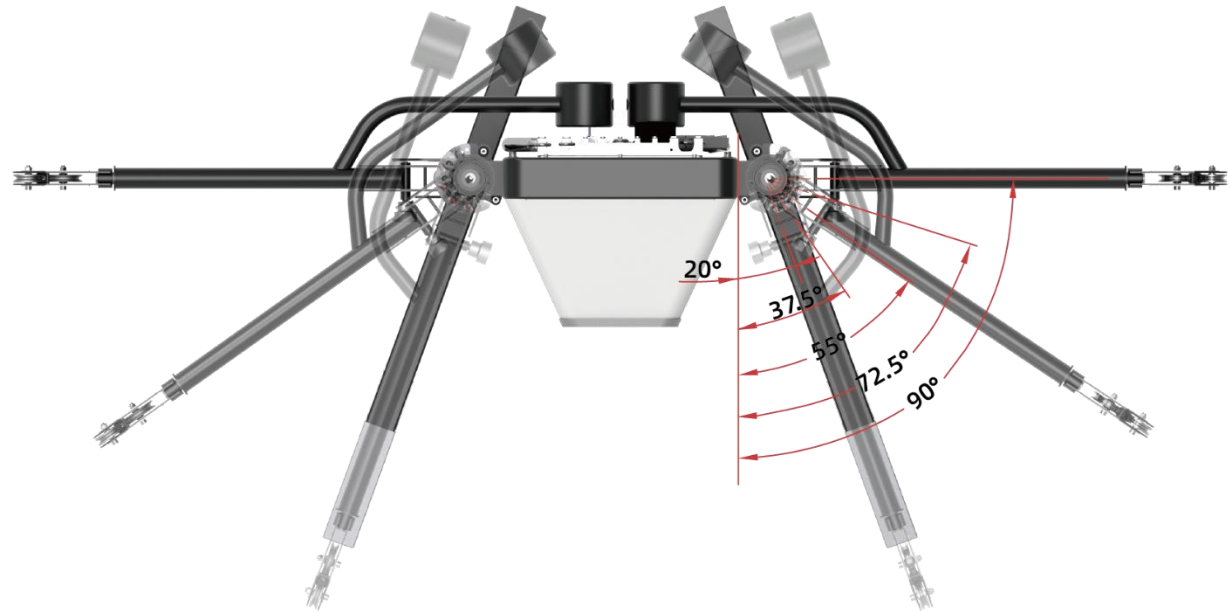


The largest area is about **4.27m²**

Assembled Dimensions

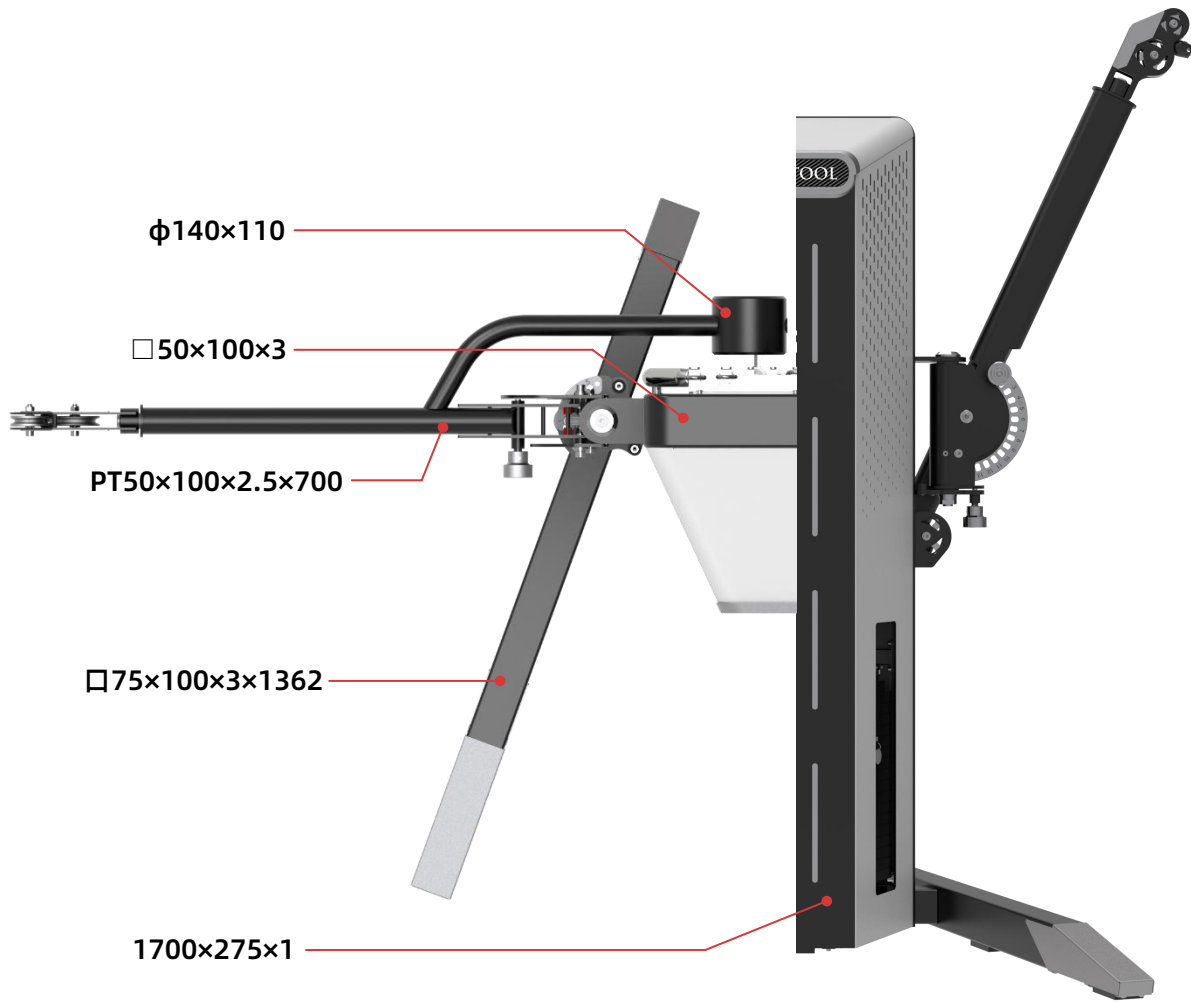


13 adjustable gears



5 adjustable gears

Adjust the angle



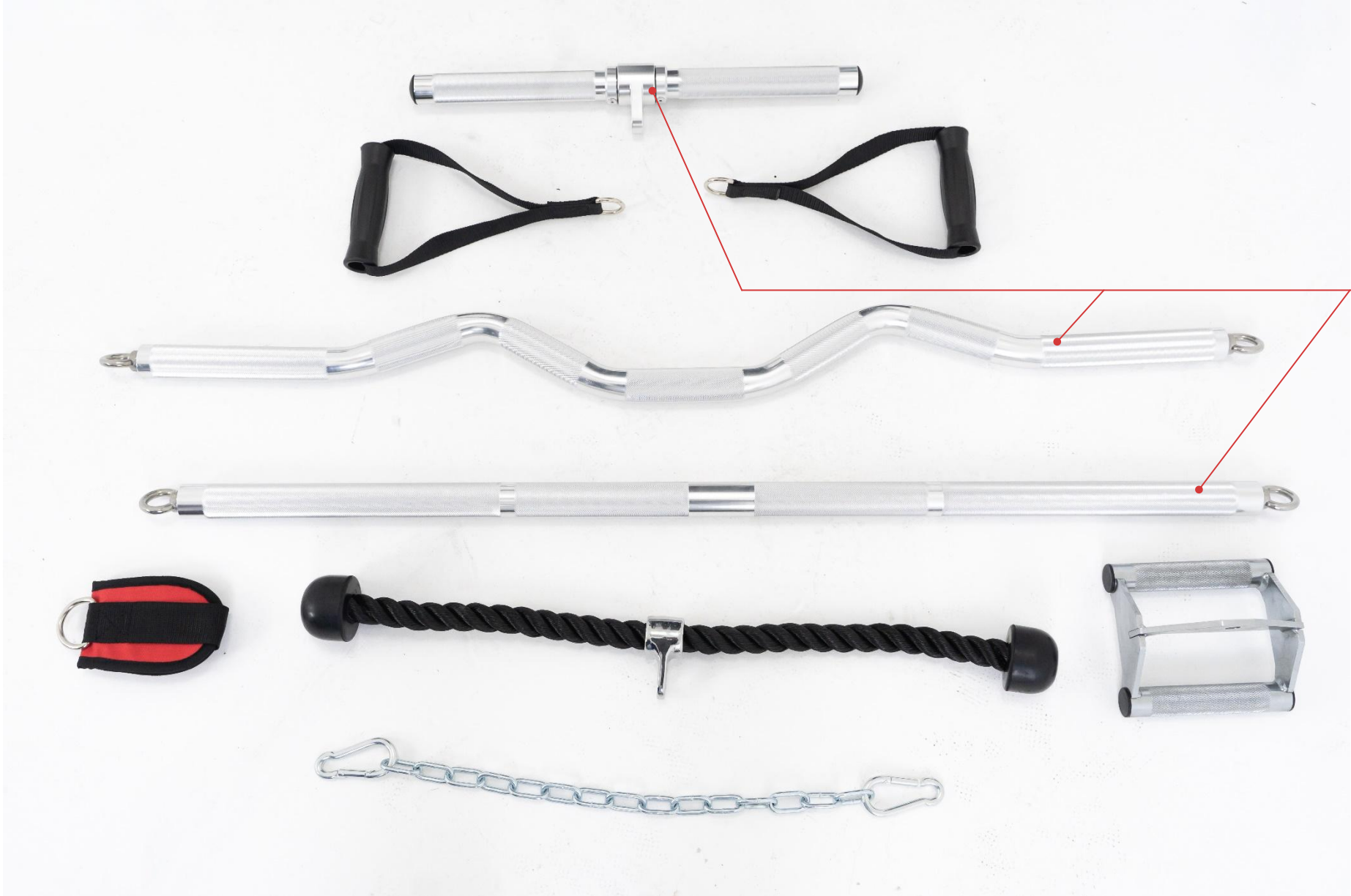
Maximum user weight: 350lbs



Main Tube Size and Maximum Weight



Characteristic



Aluminum handle bar

Included accessories

The built-in bearing of the shaft is smooth, silent, efficient and convenient to adjust.

Laser-cutting stainless steel angle adjusting plate
Easily and visible gear adjustment.

One pull and one loose with the Aluminum alloy knob makes the exercise angle more accurate.

Aluminum alloy pulley is very smooth.



Details

Laser-cutting skid plate Stainless steel material
Anti-wear High-grade coating on the surface
You may put your own iPad on the plate.



Details



Stainless steel hook holder for easy storage accessories.

Stainless steel counterweight iron can balance the weight of the bird's arms on both sides when adjusting.

Details